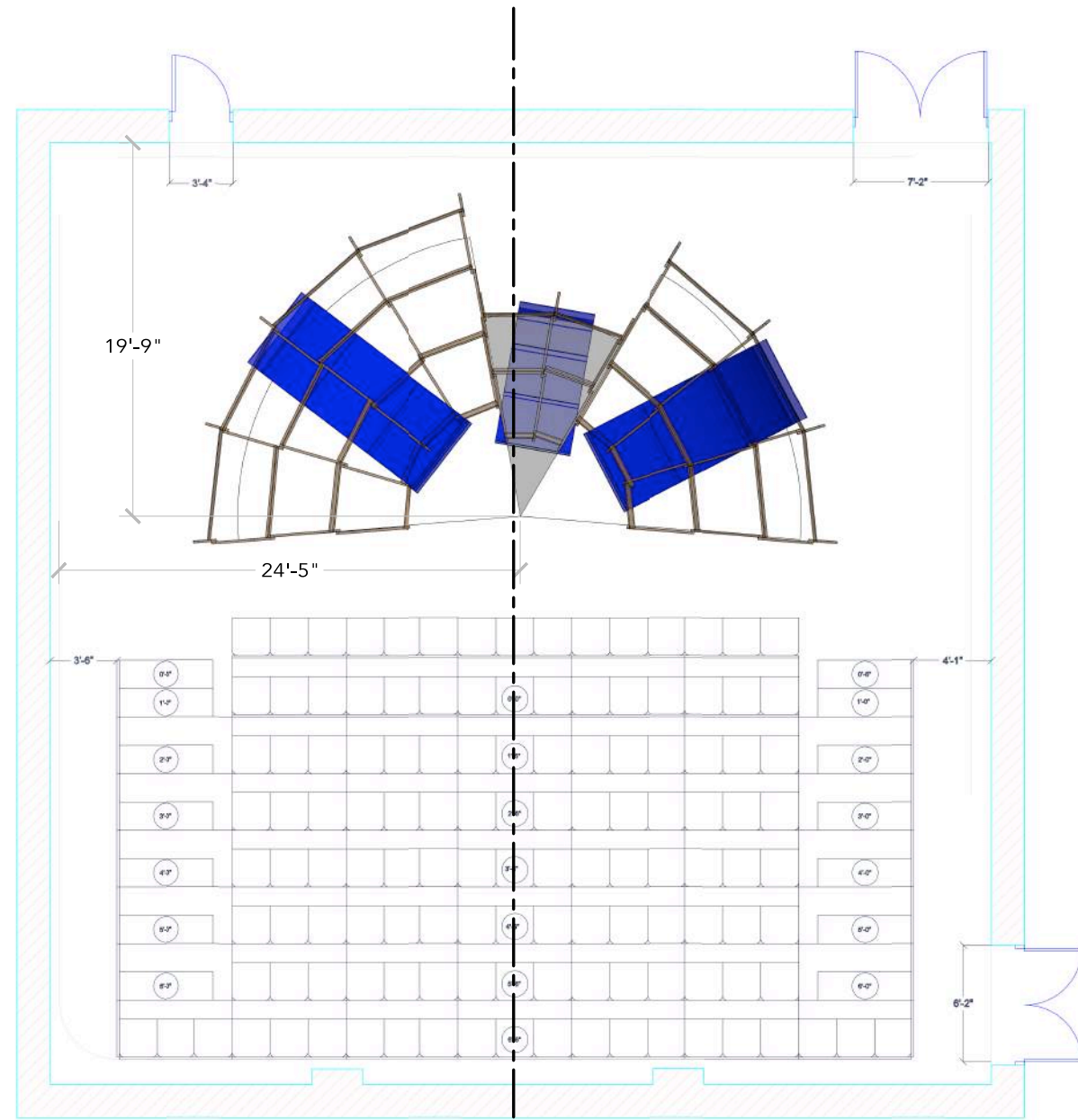


BLISS

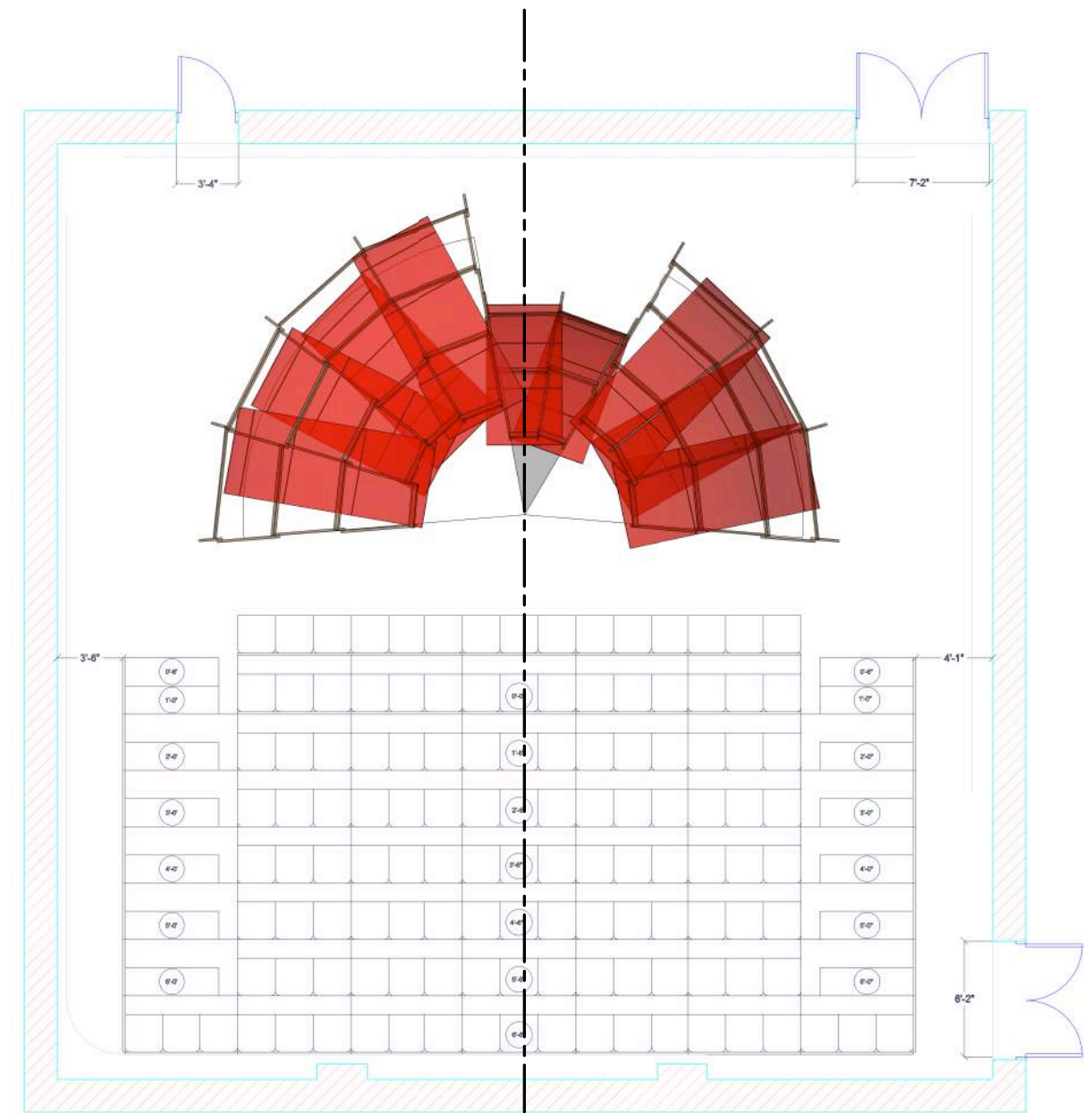
8/22/14

DES. PAM LEE
DIR. MARGO GRAY

ITEM	SHEET NO.
1/4" GROUND PLANS	1
1/2" PLATFORM DETAIL	2
1/2" ACT 1 FURNITURE PLACEMENT	3
1/2" ACT 1 FURNITURE PLACEMENT	4
TRANSPARENT S.R. ELEVATION ("SECTION")	5
FRONT ELEVATIONS	6
PANELS "A" & "B" ORTHOGRAPHICS	7
PANELS "C" ORTHOGRAPHIC	8
SKELETONS "A" & "B" ORTHOGRAPHICS	9
SKELETONS "C" ORTHOGRAPHIC	10



1 ACT I - GROUND PLAN
1/4" = 1' - 0"



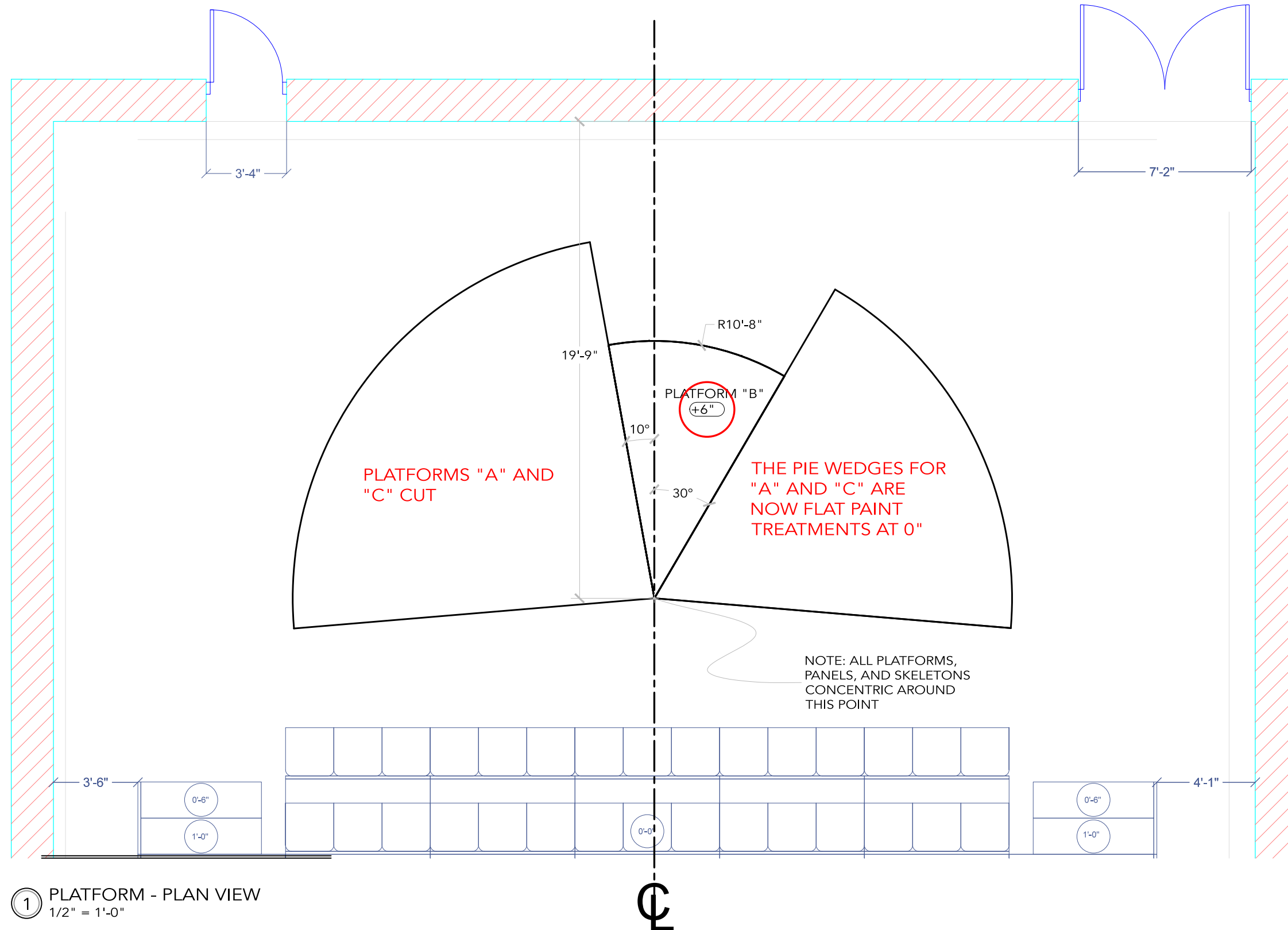
2 ACT II - GROUND PLAN
1/4" = 1' - 0"



NOTES:

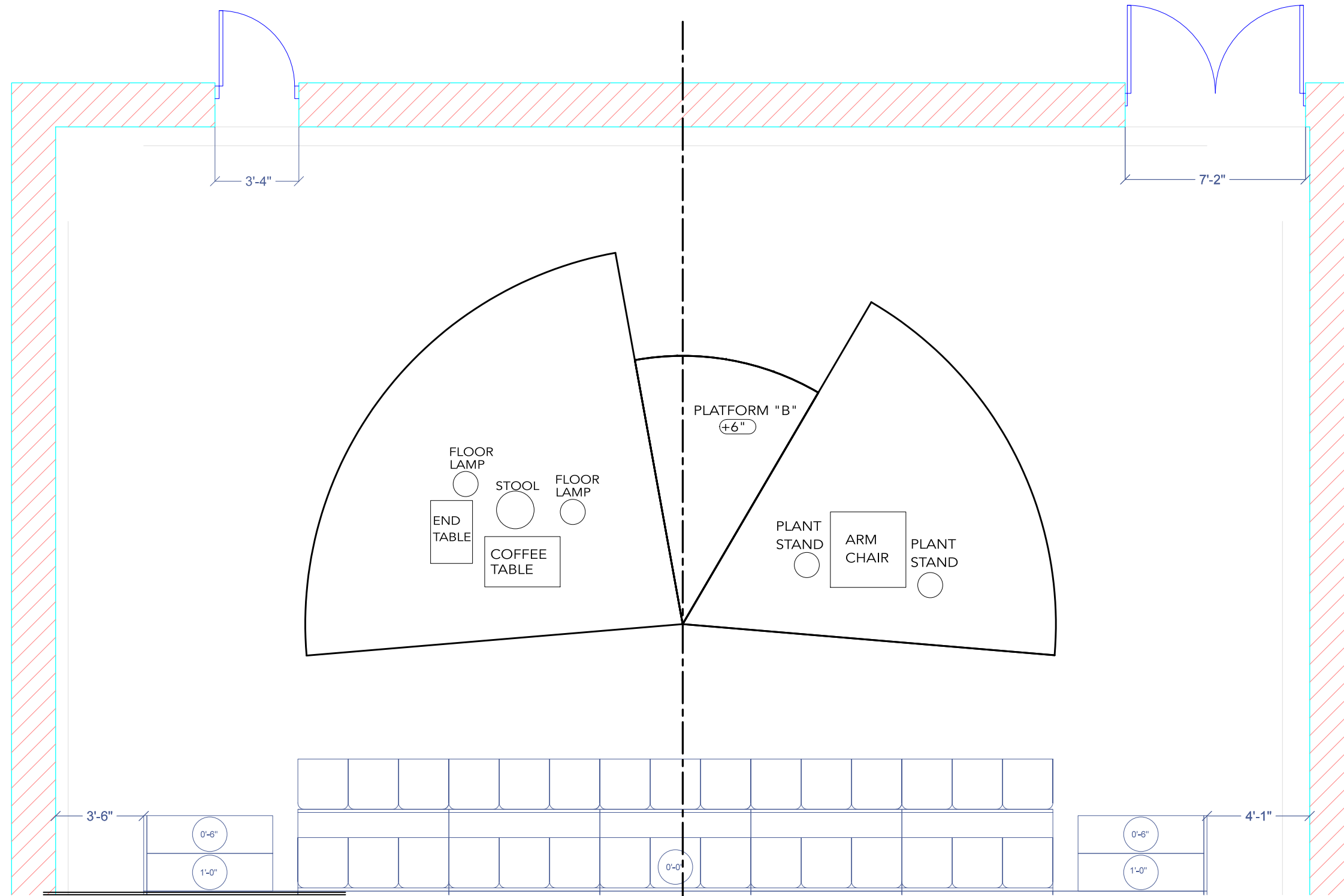
- PLATFORM FACED ON TOP WITH PAINTED MASONITE. FLOOR TREATMENT CONTINUED ON OTHER PIE SECTIONS AT 0".
- IF PANELS NEED TO BE COVERED WITH STRETCH FABRIC, USE WHITE ROSEBRAND POLY STRETCH (60" W, \$11.45/YD)
- IF PANELS DO NOT NEED STRETCH FABRIC, USE WHITE ROSEBRAND POLY SILK (60" W, \$8.97/YD)

BLISS		
DATE 8/22/14	ACT I & II PLAN VIEWS	Plate
SCALE 1/4" = 1'-0"		1
DES Pam Lee	DIR Margo Gray	of 10



1 PLATFORM - PLAN VIEW
 1/2" = 1'-0"

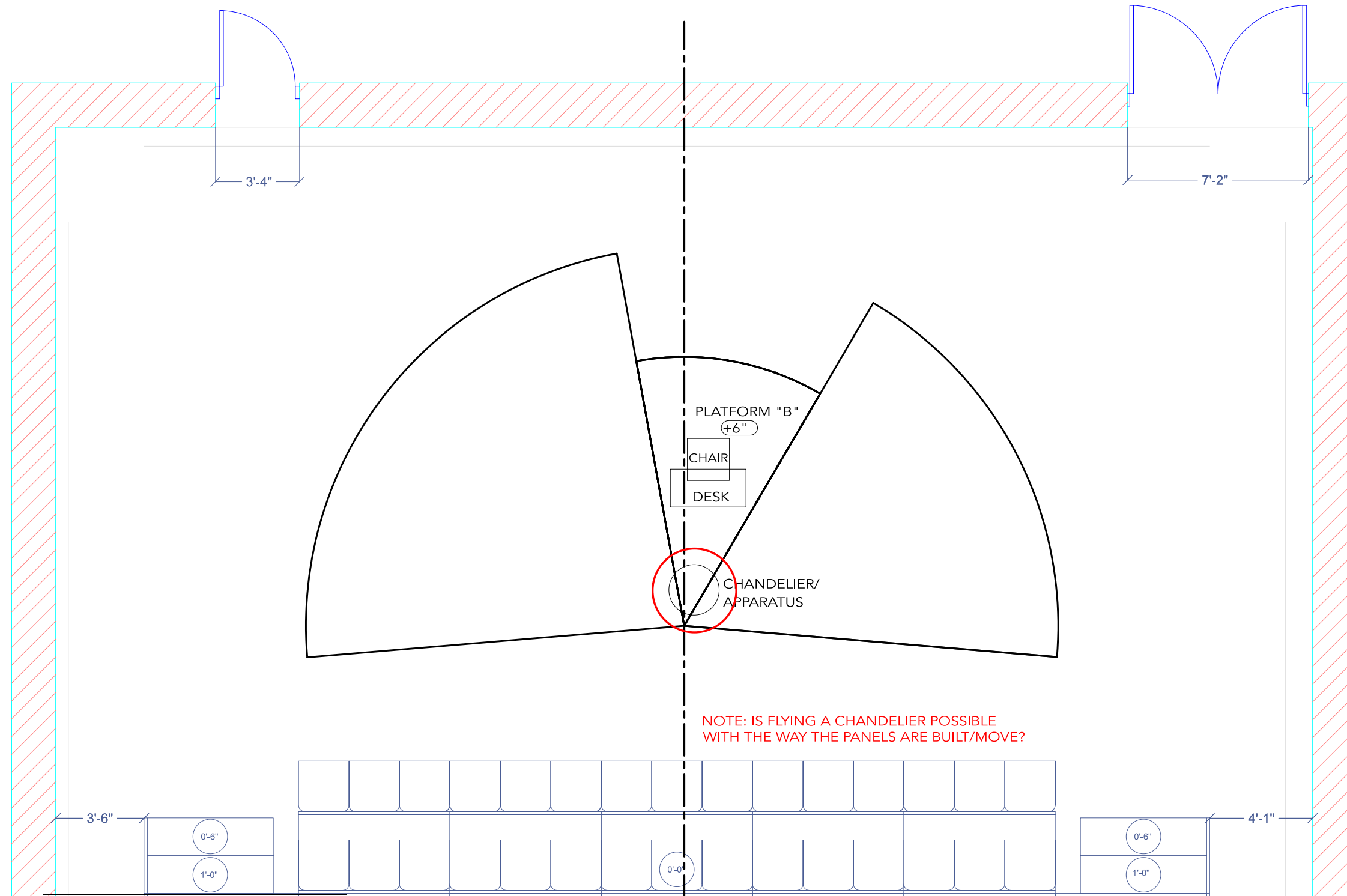
BLISS		
DATE 8/22/14	PLATFORM DETAIL	Plate
SCALE 1/2" = 1'-0"		2 of 10
DES Pam Lee	DIR Margo Gray	



① ACT 1 FURNITURE - PLAN VIEW
 1/2" = 1'-0"



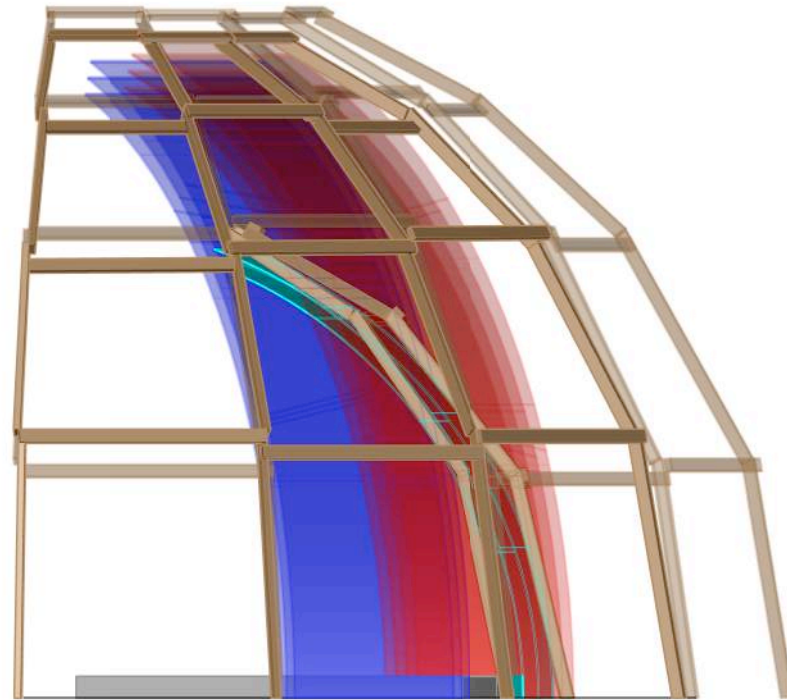
BLISS		
DATE 8/22/14	ACT 1 FURNITURE PLACEMENT	Plate
SCALE 1/2" = 1'-0"		3 of 10
DES Pam Lee	DIR Margo Gray	



① ACT 2 FURNITURE - PLAN VIEW
1/2" = 1'-0"

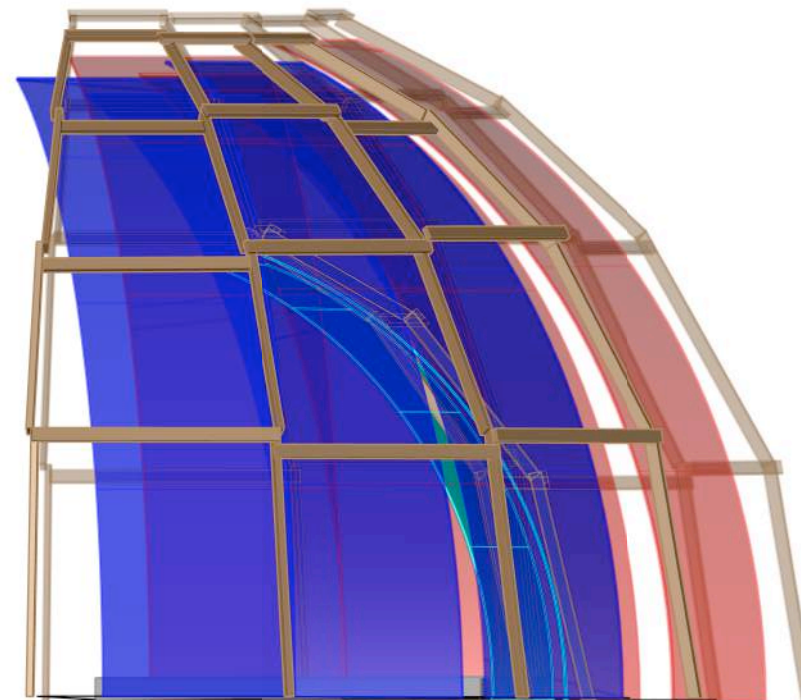


BLISS		
DATE 8/22/14	ACT 2 FURNITURE PLACEMENT	Plate
SCALE 1/2" = 1'-0"		4 of 10
DES Pam Lee	DIR Margo Gray	



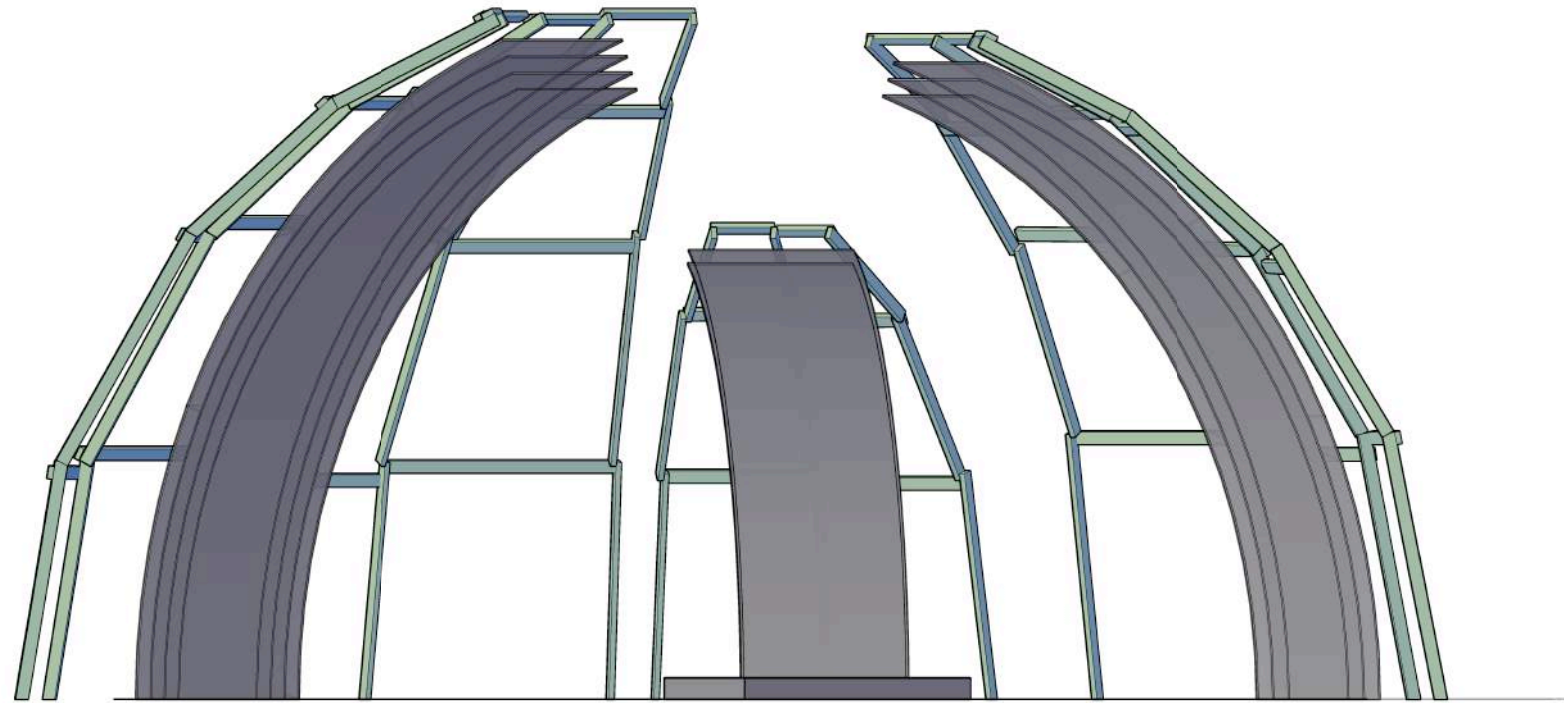
① ACT I - S.R. ELEVATION ("SECTION")
1/2" = 1'-0"

NOTE: PANELS "A" ARE RED, PANELS "B" ARE CYAN, AND PANELS "C" ARE BLUE.

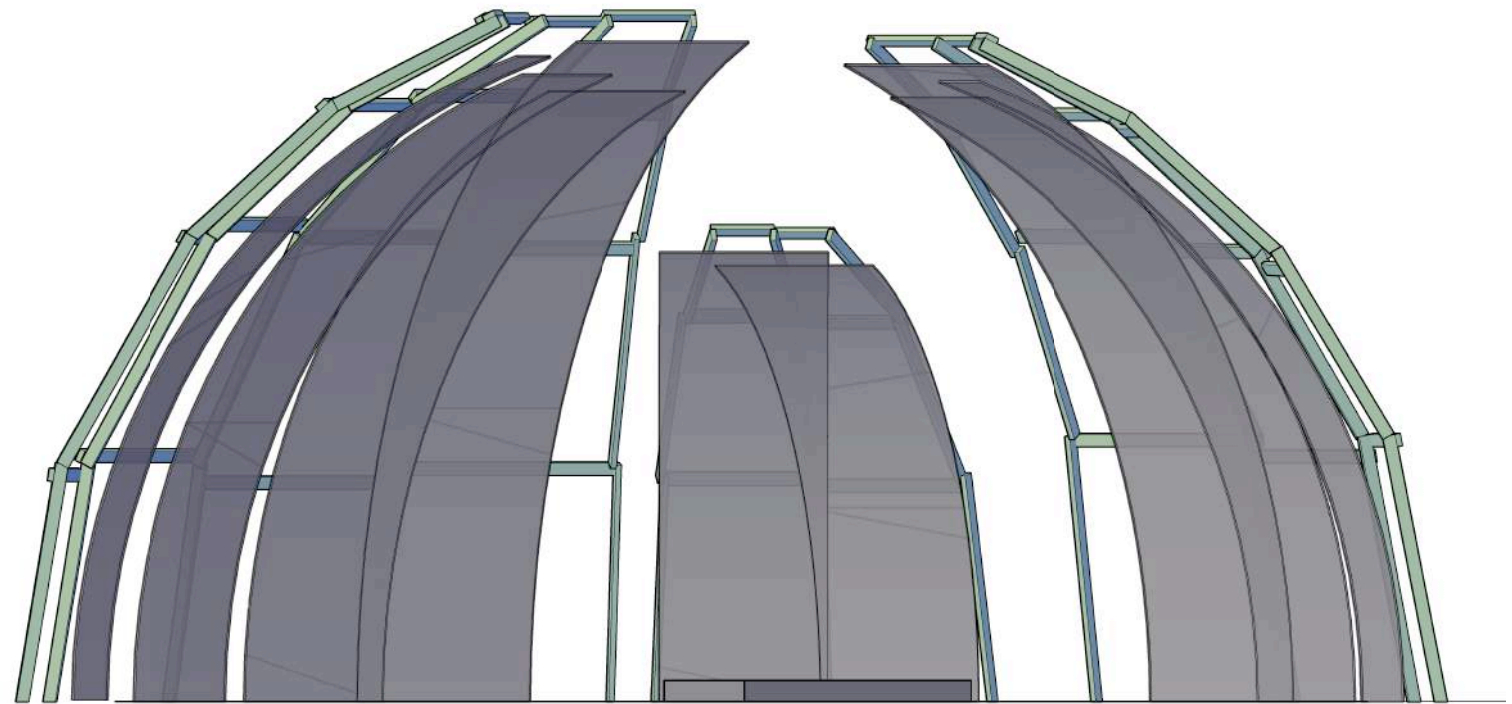


② ACT II - S.R. ELEVATION ("SECTION")
1/2" = 1'-0"

BLISS		
DATE 8/22/14	TRANSPARENT S.R. ELEVATIONS ("SECTIONS")	Plate
SCALE 1/2" = 1'-0"		5 of 10
DES Pam Lee	DIR Margo Gray	

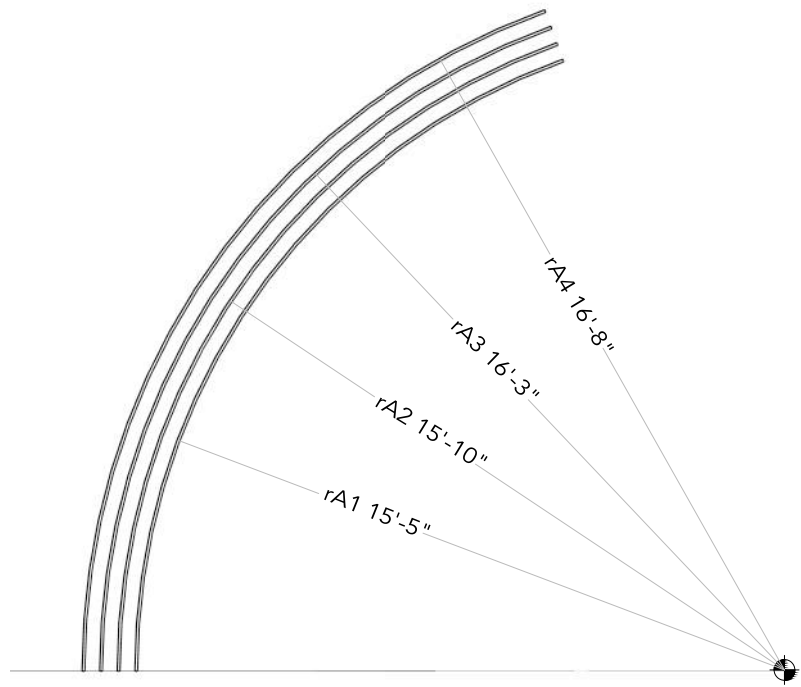


① ACT I PANELS & SKELETON - FRONT ELEVATION
1/2" = 1'-0"

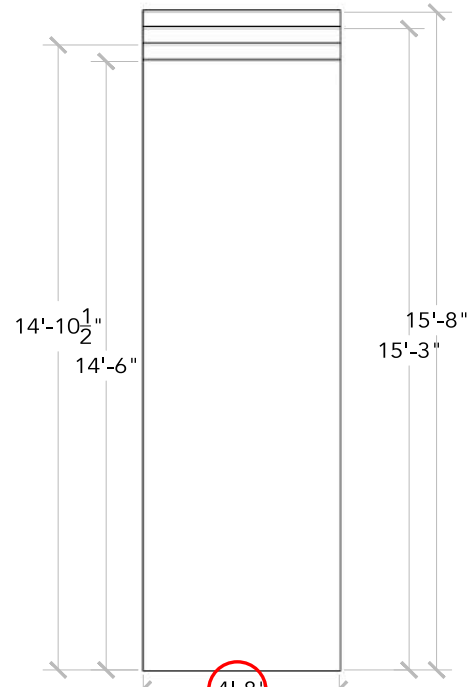


② ACT II PANELS & SKELETON - FRONT ELEVATION
1/2" = 1'-0"

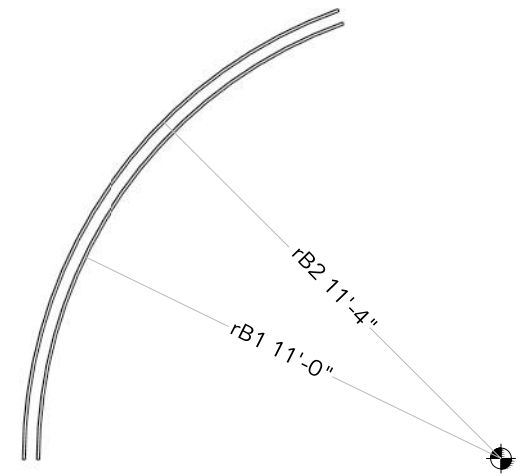
BLISS		
DATE 8/22/14	ACT I & II ELEVATIONS	Plate
SCALE 1/2" = 1'-0"		6 of 10
DES Pam Lee	DIR Margo Gray	



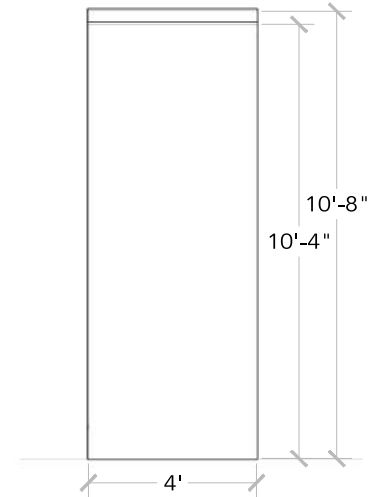
A PANELS "A" - SIDE VIEW
1/2" = 1'-0"



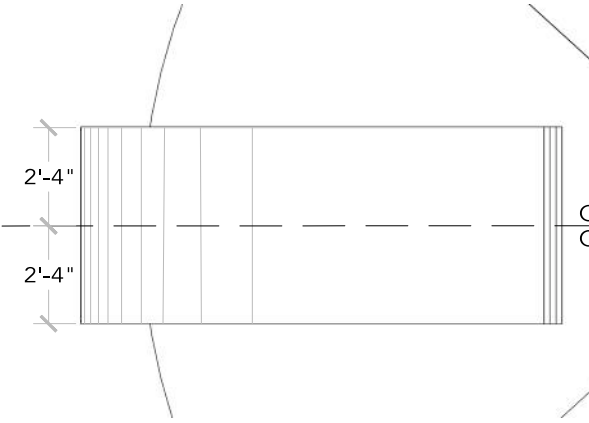
1 PANELS "A" - FRONT ELEVATION
1/2" = 1'-0"



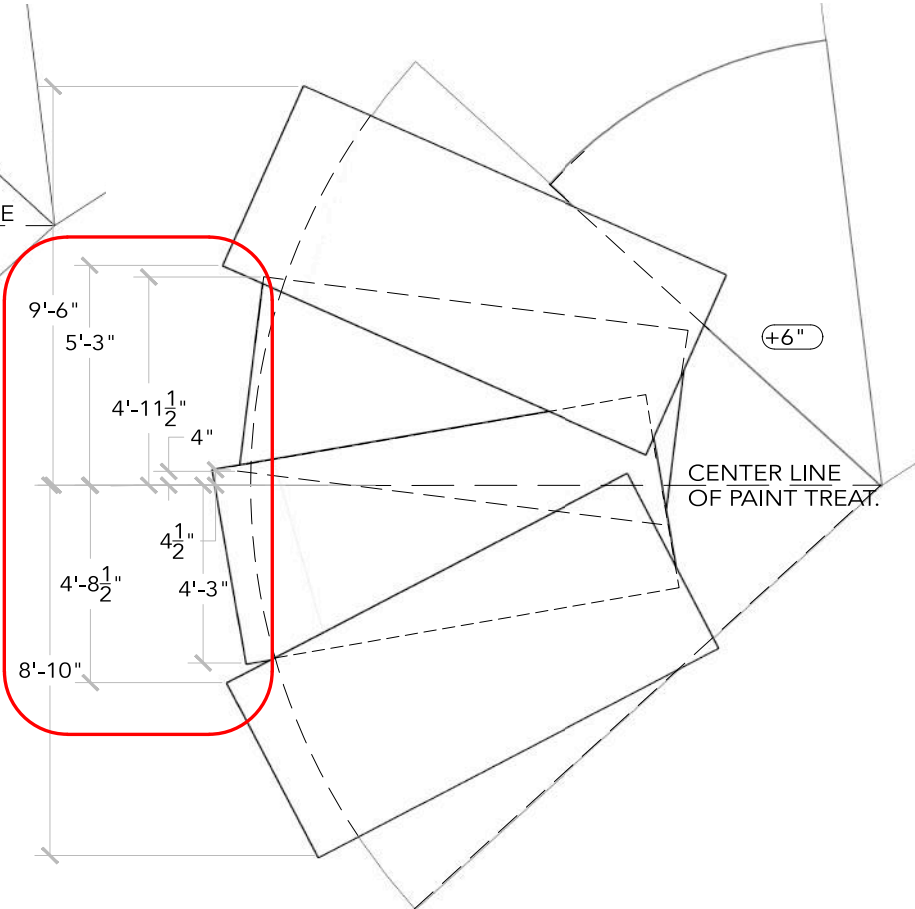
A PANELS "B" - SIDE VIEW
1/2" = 1'-0"



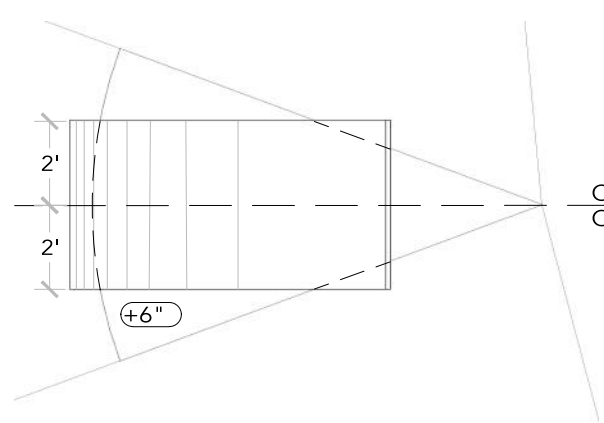
2 PANELS "B" - FRONT ELEVATION
1/2" = 1'-0"



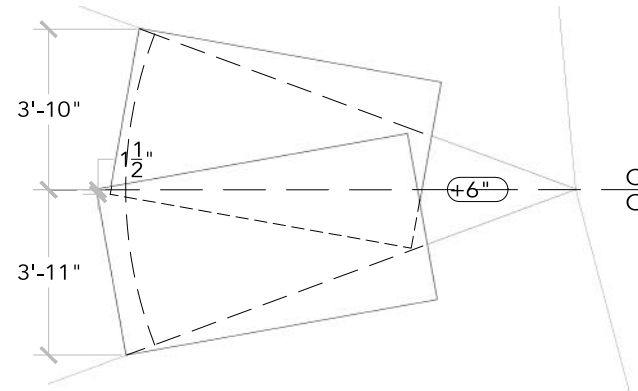
B ACT I PANELS "A" - TOP VIEW
1/2" = 1'-0"



C ACT II PANELS "A" - TOP VIEW
1/2" = 1'-0"

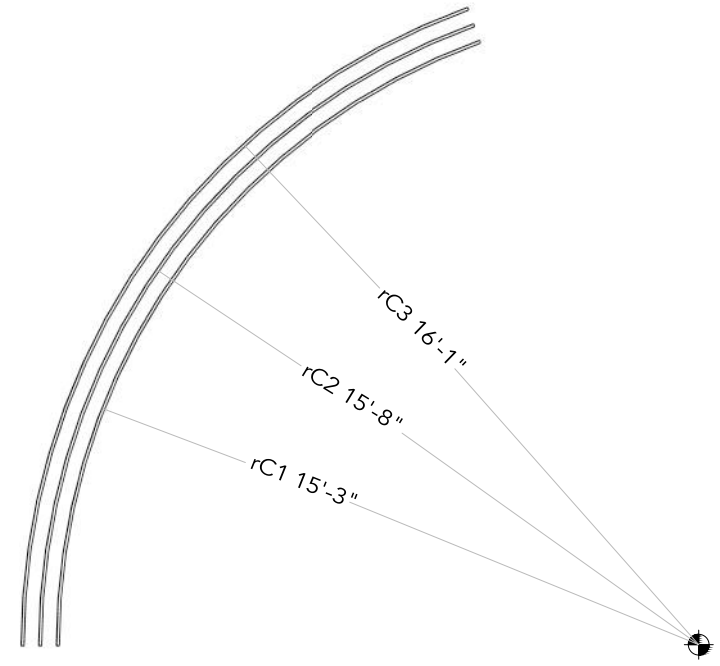


B ACT I PANELS "B" - TOP VIEW
1/2" = 1'-0"

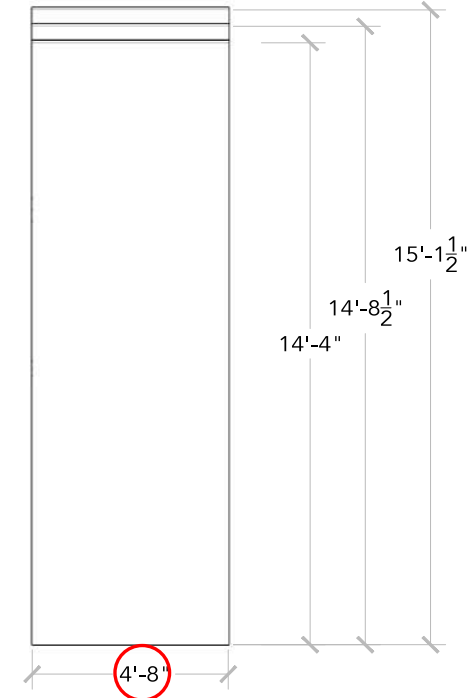


C ACT II PANELS "B" - TOP VIEW
1/2" = 1'-0"

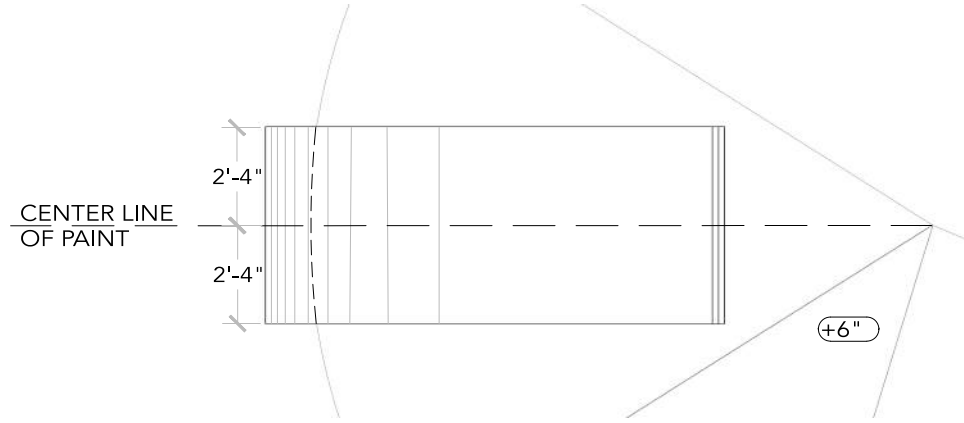
BLISS		Plate 7 of 10
DATE 8/22/14	PANELS "A" & "B" ORTHOGRAPHICS	
SCALE 1/2" = 1'-0"		
DES Pam Lee	DIR Margo Gray	



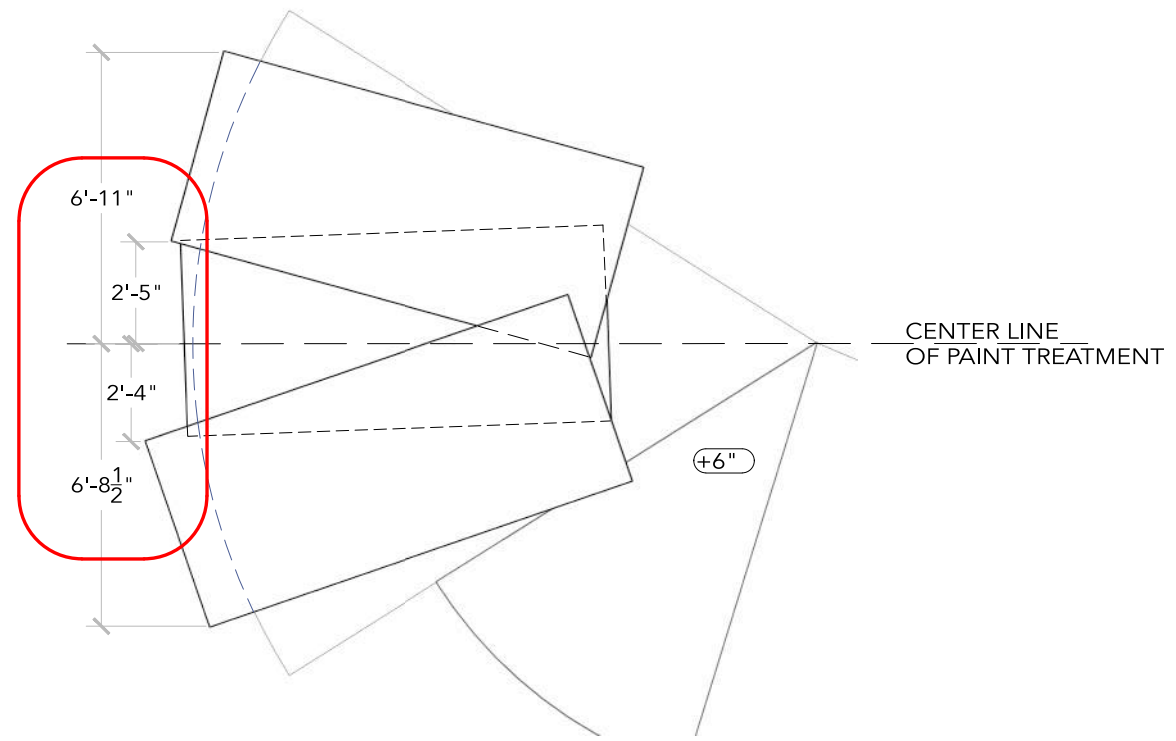
A PANELS "C" - SIDE VIEW
1/2" = 1'-0"



1 PANELS "C" - FRONT ELEVATION
1/2" = 1'-0"

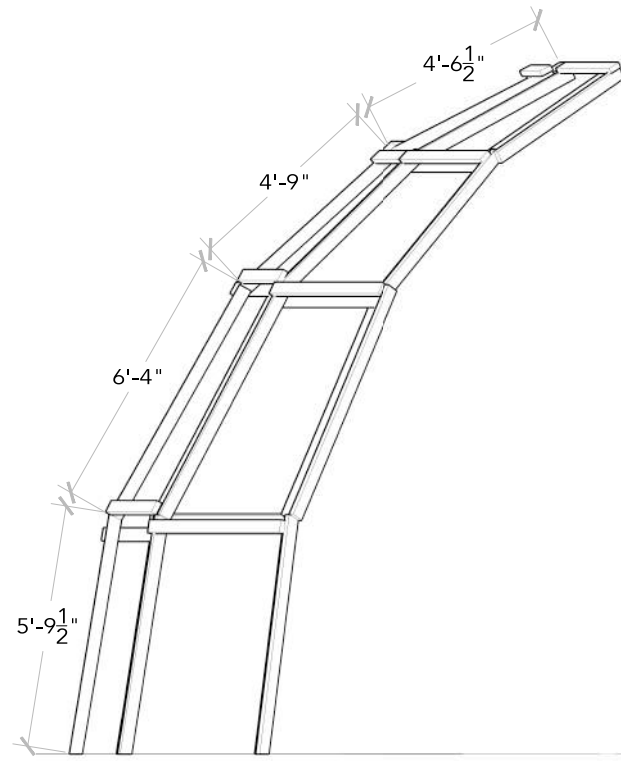


B ACT I PANELS "C" - TOP VIEW
1/2" = 1'-0"

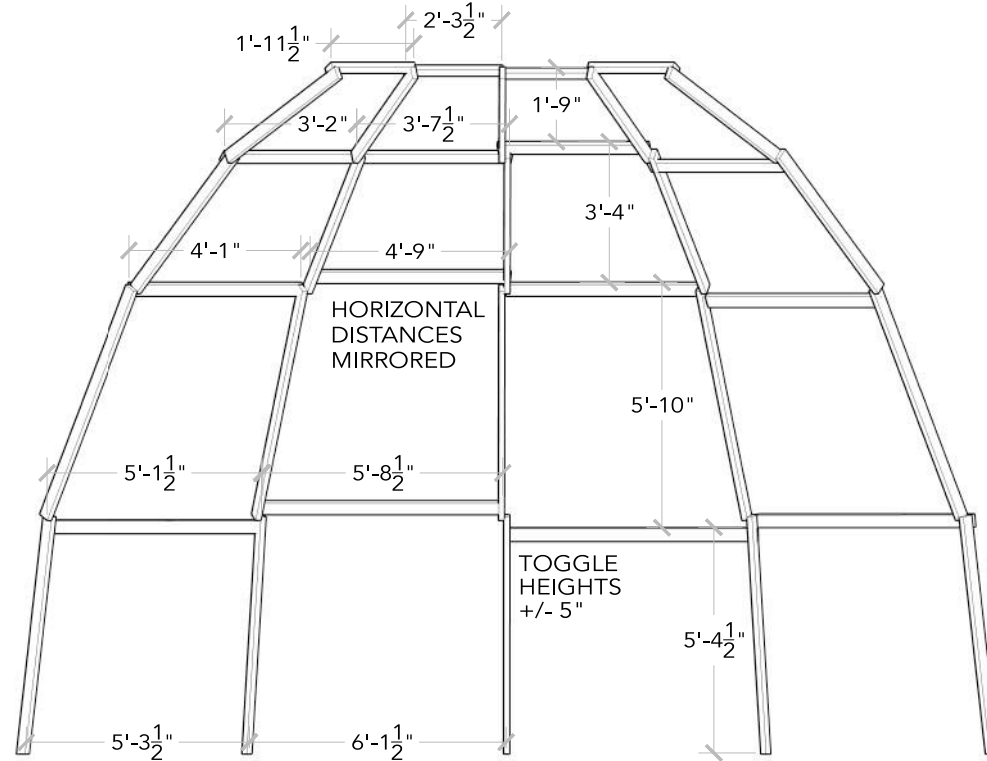


C ACT II PANELS "C" - TOP VIEW
1/2" = 1'-0"

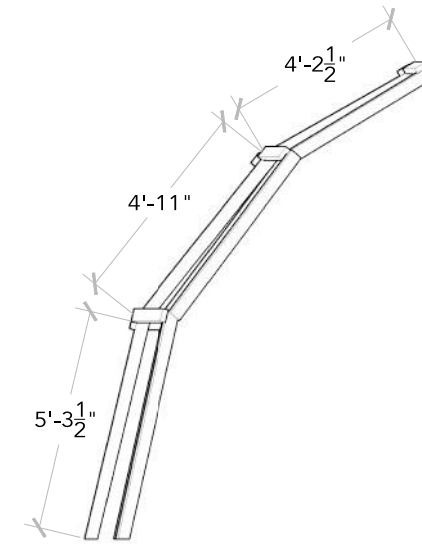
BLISS		
DATE 8/22/14	PANELS "C" ORTHOGRAPHICS	Plate
SCALE 1/2" = 1'-0"		8 of 10
DES Pam Lee	DIR Margo Gray	



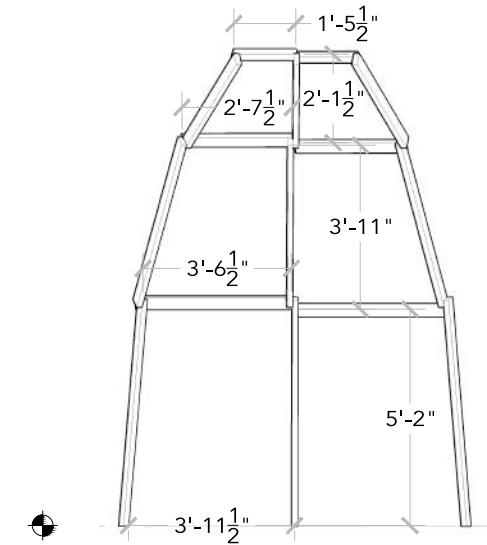
A SKELETON "A" - SIDE VIEW
1/2" = 1'-0"



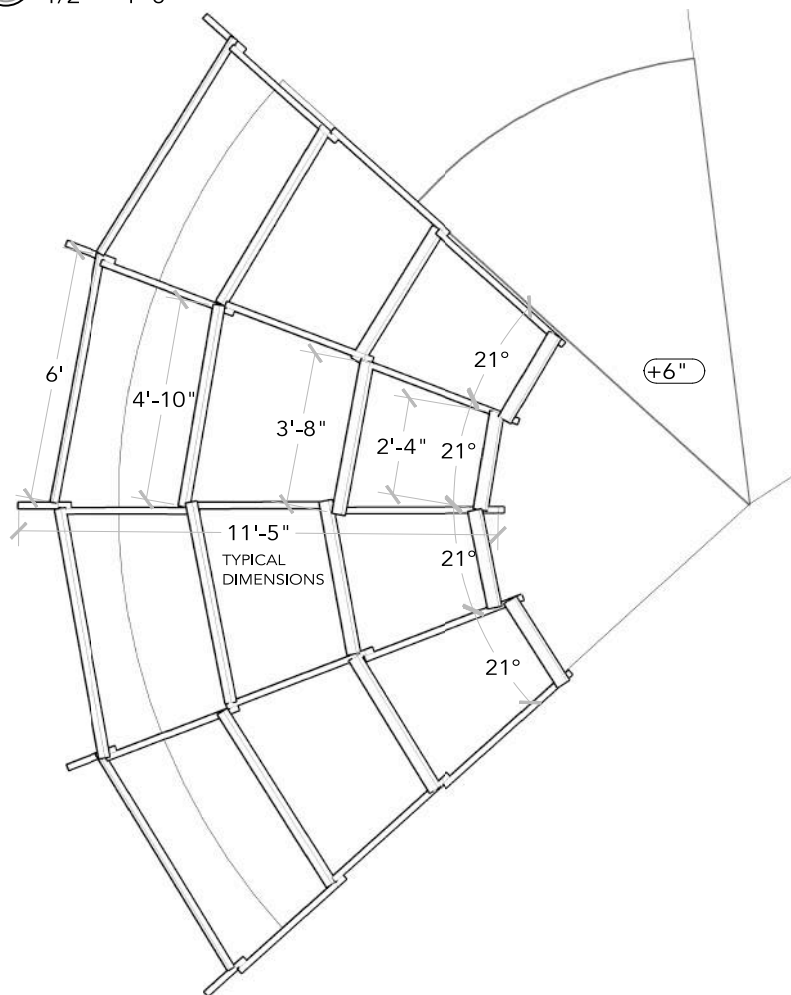
1 SKELETON "A" - FRONT ELEVATION
1/2" = 1'-0"



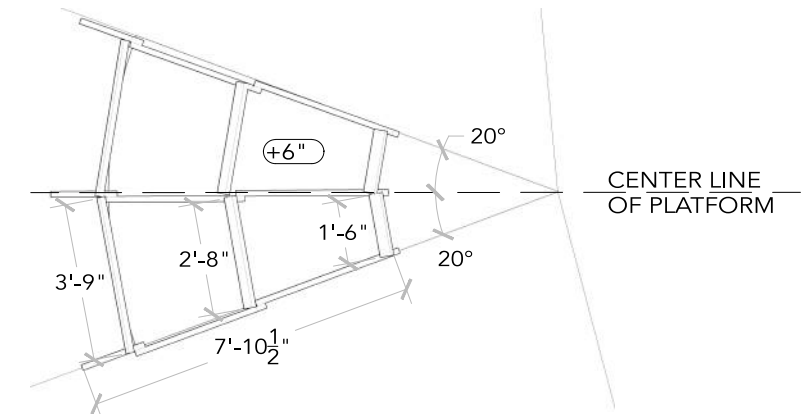
A SKELETON "B" - SIDE VIEW
1/2" = 1'-0"



2 SKELETON "B" - FRONT
1/2" = 1'-0"

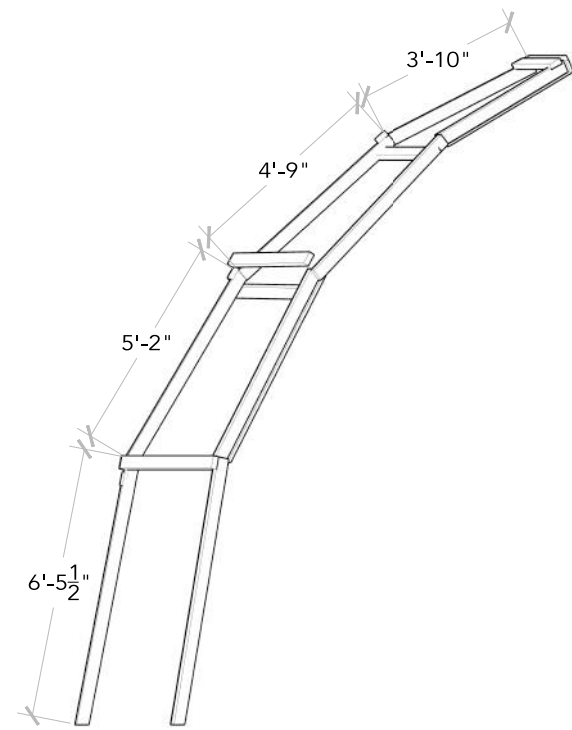


B SKELETON "A" - TOP VIEW
1/2" = 1'-0"

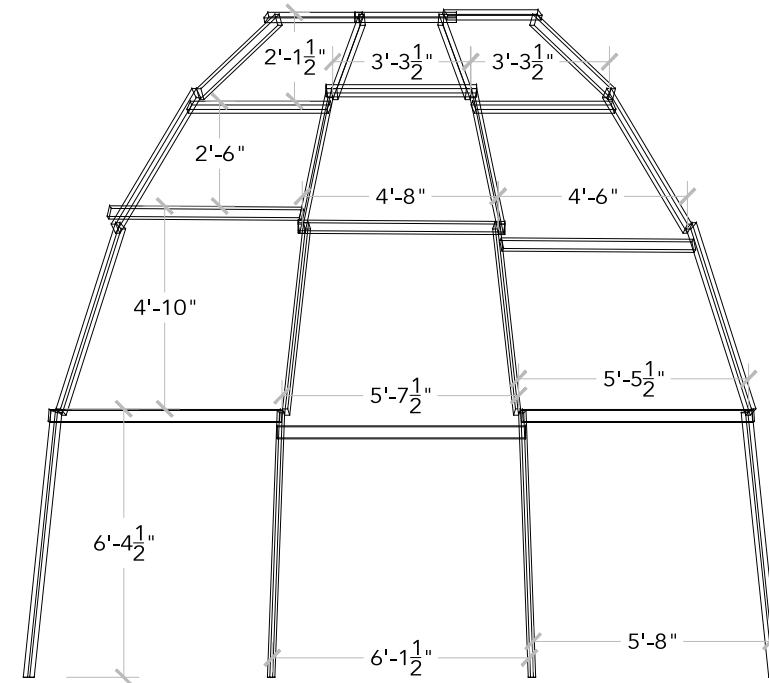


B SKELETON "B" - TOP VIEW
1/2" = 1'-0"

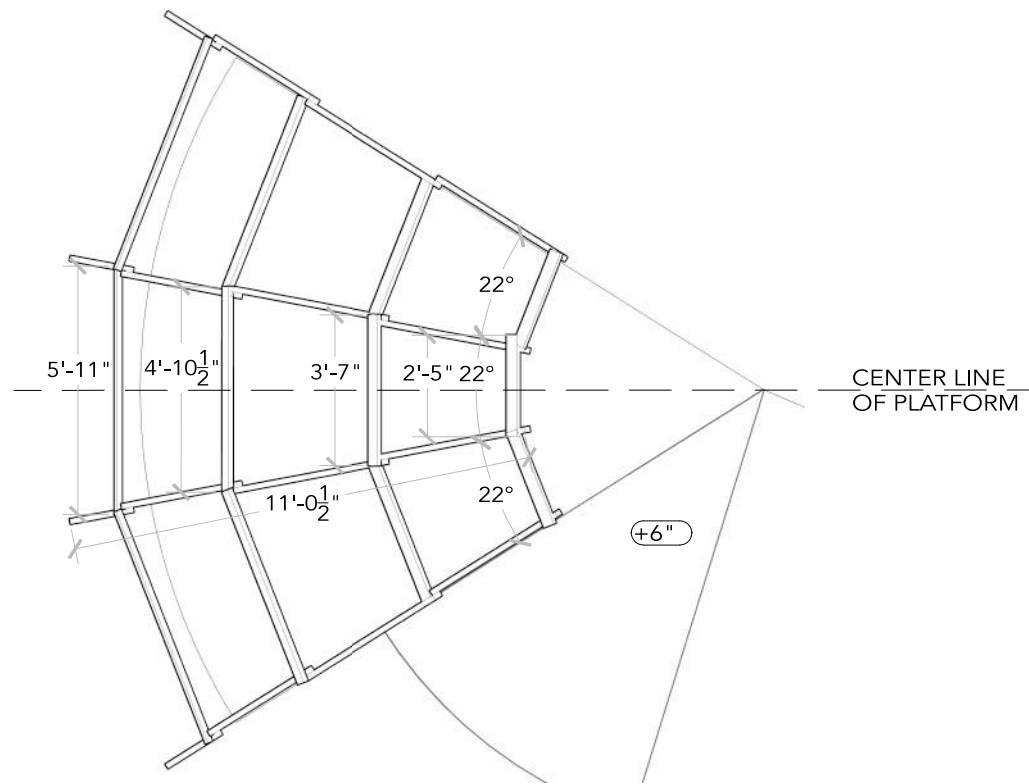
BLISS		
DATE 8/22/14	SKELETONS "A" & "B" ORTHOGRAPHICS	Plate
SCALE 1/2" = 1'-0"		9 of 10
DES Pam Lee	DIR Margo Gray	



A SKELETON "C" - SIDE VIEW
1/2" = 1'-0"



1 SKELETON "C" - FRONT ELEVATION
1/2" = 1'-0"



B SKELETON "C" - TOP VIEW
1/2" = 1'-0"

BLISS		
DATE 8/22/14	SKELETON "C" ORTHOGRAPHICS	Plate 10
SCALE 1/2" = 1'-0"		of 10
DES Pam Lee	DIR Margo Gray	